

ELECTRICAL

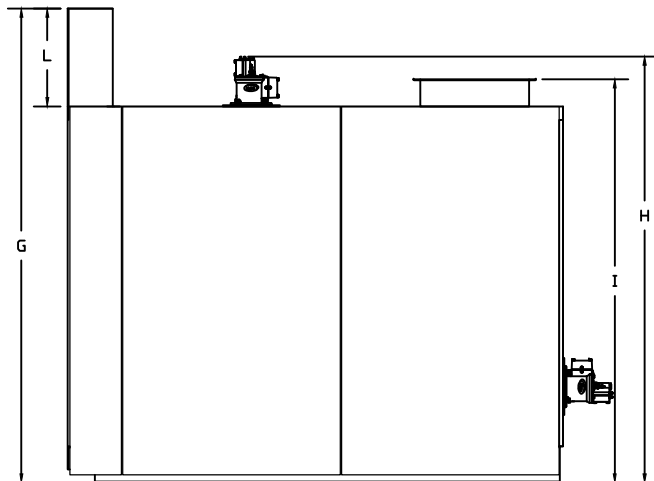
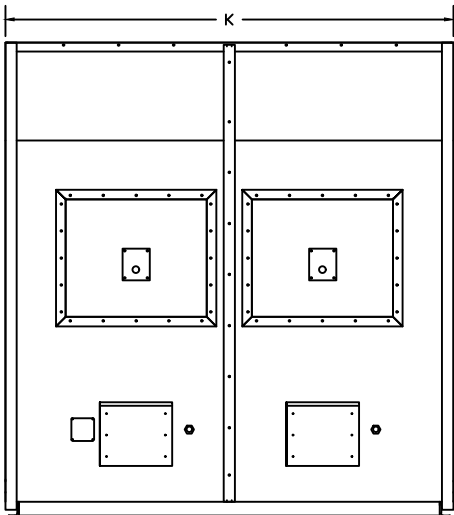
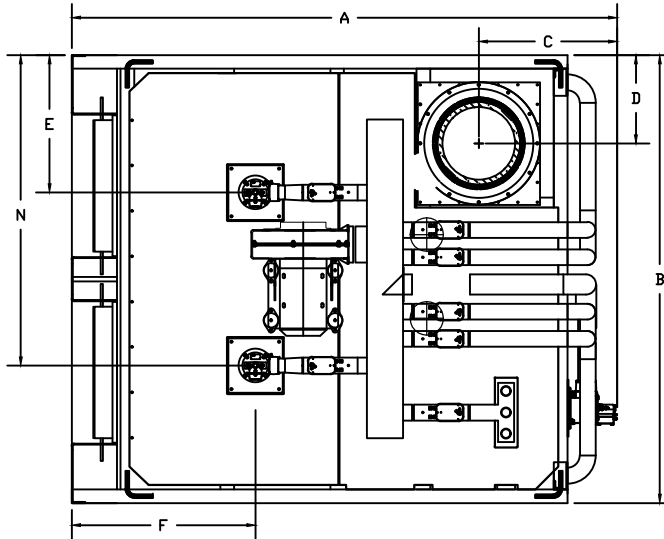
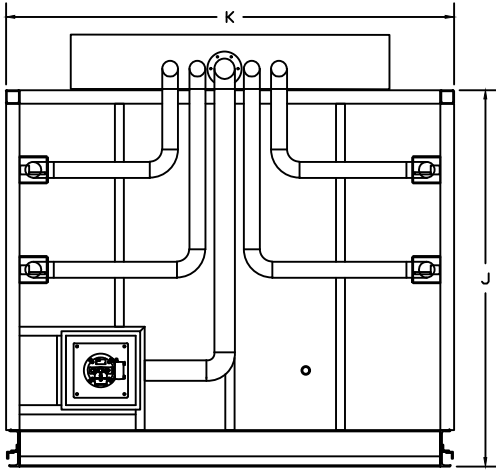
VOLTAGE	220/440 VOLTS
PHASE	SINGLE OR 3 PHASE
FREQ.	50/60HZ
AMPS	1 PHASE 70 AMP\3 PHASE 230v\40AMPS 440v\20AMPS
CHAMBER VOL.	
PRI. CHAMBER VOL.	
SEC. CHAMBER VOL.	

GAS

NATURAL GAS PRESSURE	12"TO 15"W.C.(304MM TO 381MM)
PROPANE PRESSURE	11"W.C. (288MM)
FLOW RATE	2,500,000 BTU/HR

MACHINE DIMENSIONS

A	120.25
B	98.75
C	30.50
D	19.50
E	30.3125
F	40.50
G	104.50
H	94.00
I	89.00
J	83.00
K	98.75
L	21.50



NO.					
DATE					
KELLER MANUFACTURING 4442 HOLDEN ROAD LAKELAND, FL. 33811 863-937-8928					
NO.	JOB NO.	CHECKED	DATE	DRAWN BY	DATE
		BLK		JLG	
THIS DRAWING IS THE PROPERTY OF KELLER. REPRODUCTIONS OF KELLER, OR ANY PART THEREOF, ARE PROHIBITED WITHOUT THE WRITTEN PERMISSION OF KELLER. RELEASE OF DRAWINGS TO OTHERS DOES NOT ALLOW LICENSING IN ANY WAY.					
MODEL NO.	TITLE				
KMA	MACHINE SPECIFICATIONS				
PLOT SCALE	SIZE	SHEET	REV.		
NTS					
KMA-1200-500					