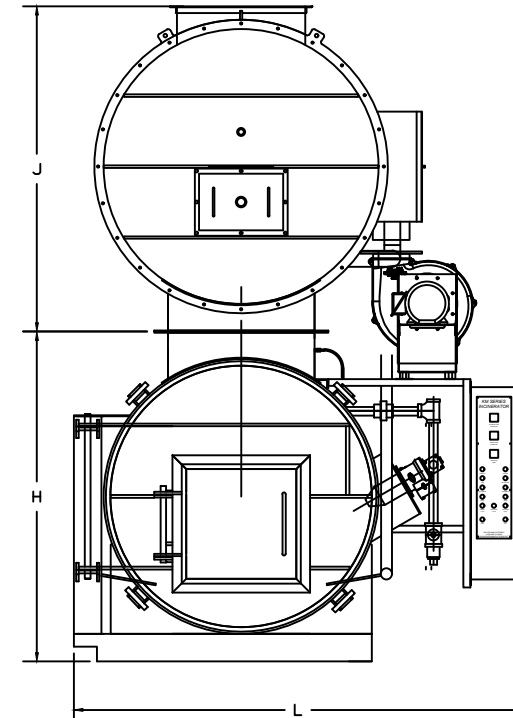
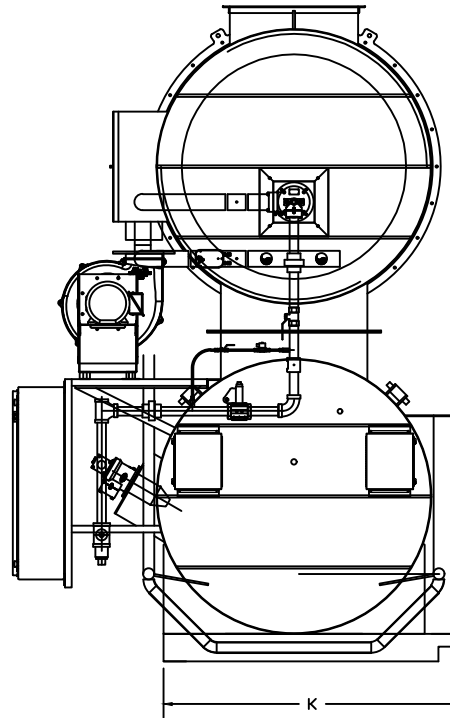
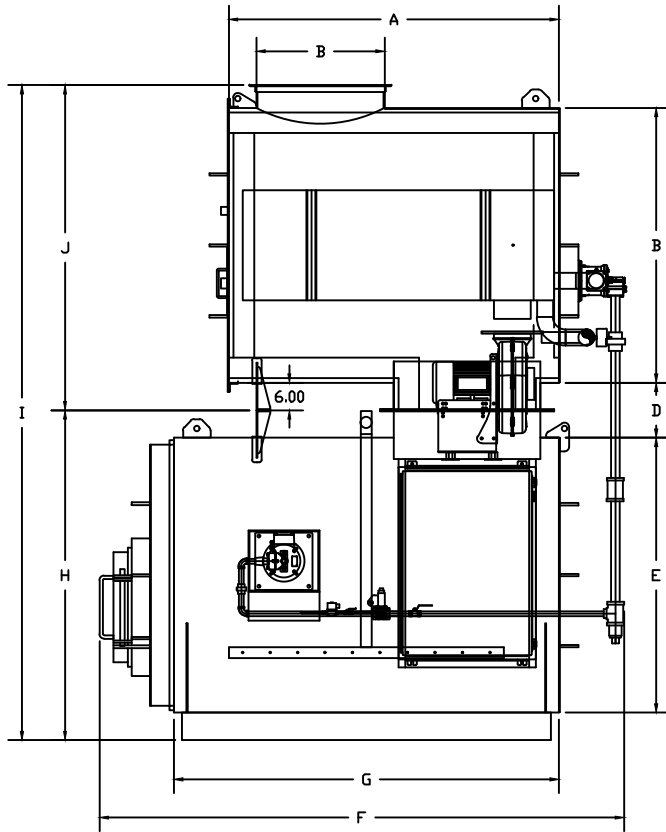


ELECTRICAL	
VOLTAGE	220/440 VOLTS
PHASE	SINGLE OR 3 PHASE
FREQ.	50/60HZ
AMPS	1 PHASE 70 AMP\3 PHASE 230v\40AMPS 440v\20AMPS
CHAMBER VOL.	
PRI. CHAMBER VOL.	86 CF (2.43 CM)
SEC. CHAMBER VOL.	67 CF (1.89 CM)

GAS	
NATURAL GAS PRESSURE	12" TO 15" W.C. (304MM TO 381MM)
PROPANE PRESSURE	11" W.C. (288MM)
FLOW RATE	2,000,000 BTU/HR

MACHINE DIMENSIONS	
A	72.00
B	28.00
C	60.00
D	12.00
E	60.00
F	114.50
G	84.00
H	72.00
I	143.00
J	71.00
K	65.00
L	97.88



NO.	DATE								
		KELLER MANUFACTURING 4442 HOLDEN ROAD LAKELAND, FL. 33811 863-937-8928		DRAWN BY: JLG CHECKED: BLK DATE:		DATE:		TITLE:	
		THIS DRAWING IS THE PROPERTY OF KELLER. REPRODUCTIONS ARE FORWARDED TO KELLER FOR PURCHASING PURPOSES ONLY. OTHERS DOES NOT ALLOW LENDING IN ANY WAY.		MODEL NO. KMB		PLOT SCALE NTS		SIZE SHEET REV.	
		JOB NO.		MACHINE SPECIFICATIONS		KMB-1200		SIZE SHEET REV.	