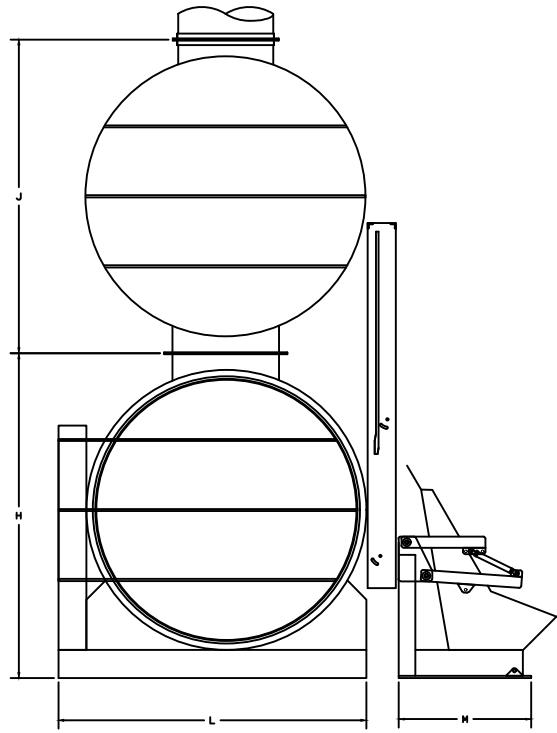
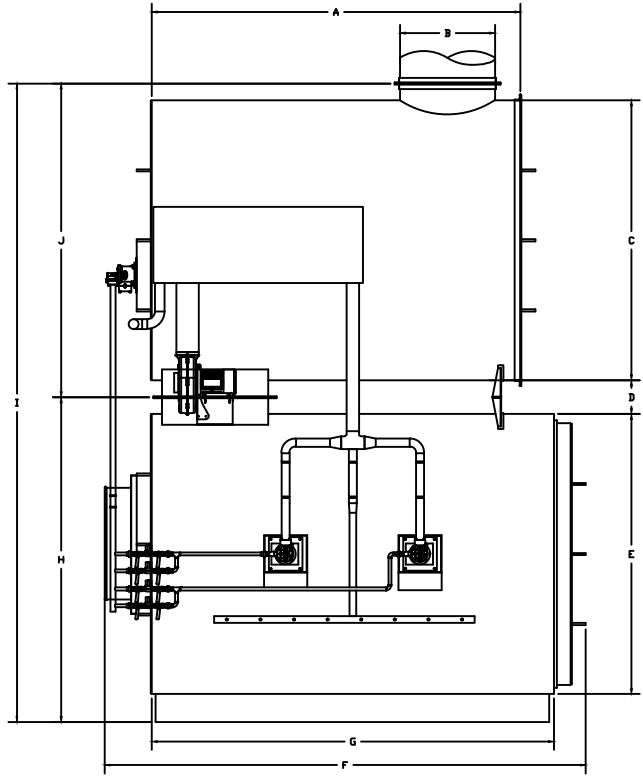
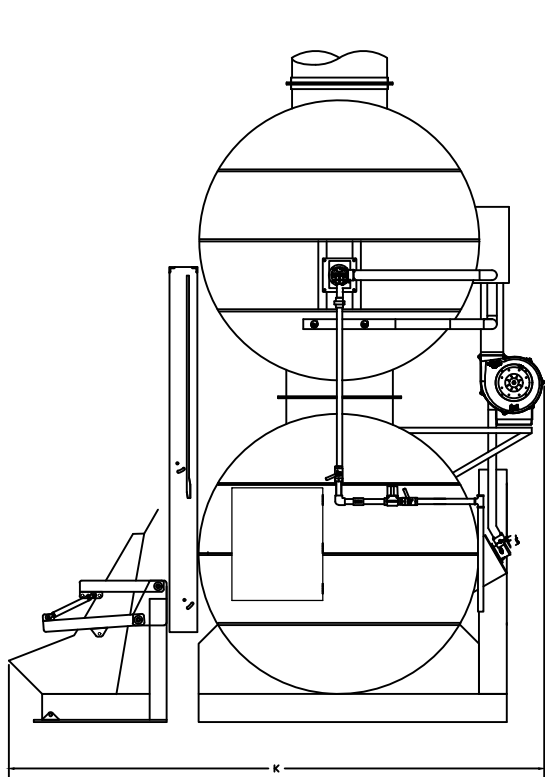


ELECTRICAL	
VOLTAGE	220/440 VOLTS
PHASE	SINGLE OR 3 PHASE
FREQ.	50/60HZ
AMPS	1 PHASE 70 AMP\3 PHASE 230v\40AMPS 440v\20AMPS
CHAMBER VOL.	
PRI. CHAMBER VOL.	
SEC. CHAMBER VOL.	

GAS	
NATURAL GAS PRESSURE	12" TO 15" W.C. (304MM TO 381MM)
PROPANE PRESSURE	11" W.C. (288MM)
FLOW RATE	? BTU/HR

MACHINE DIMENSIONS	
A	131.63
B	34.00
C	100.00
D	12.00
E	100.00
F	171.75
G	143.63
H	116.00
I	228.00
J	112.00
K	191.25
L	110.00
M	47.39



NO.									
DATE									
KELLER MANUFACTURING 4442 HOLDEN ROAD LAKELAND, FL. 33811 863-937-8928		DRAWN BY: JLG CHECKED: BLK		DATE: DATE		THIS DRAWING IS THE PROPERTY OF KELLER. REPRODUCTIONS ARE RELEASED ONLY FOR PURCHASING PURPOSES TO OTHERS DOES NOT ALLOW LICENSING IN ANY WAY. JOB NO.			
MODEL NO. KMB		PLOT SCALE NTS		SIZE A		SHEET		REV.	
								KMB-5000BL MACHINE SPECIFICATIONS	