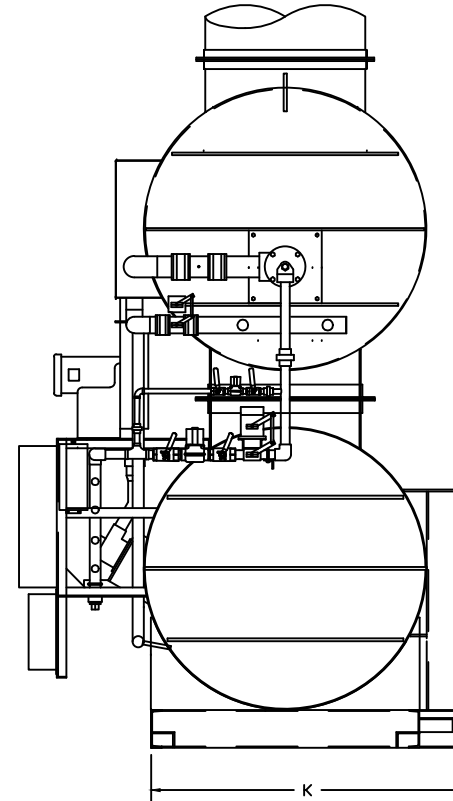
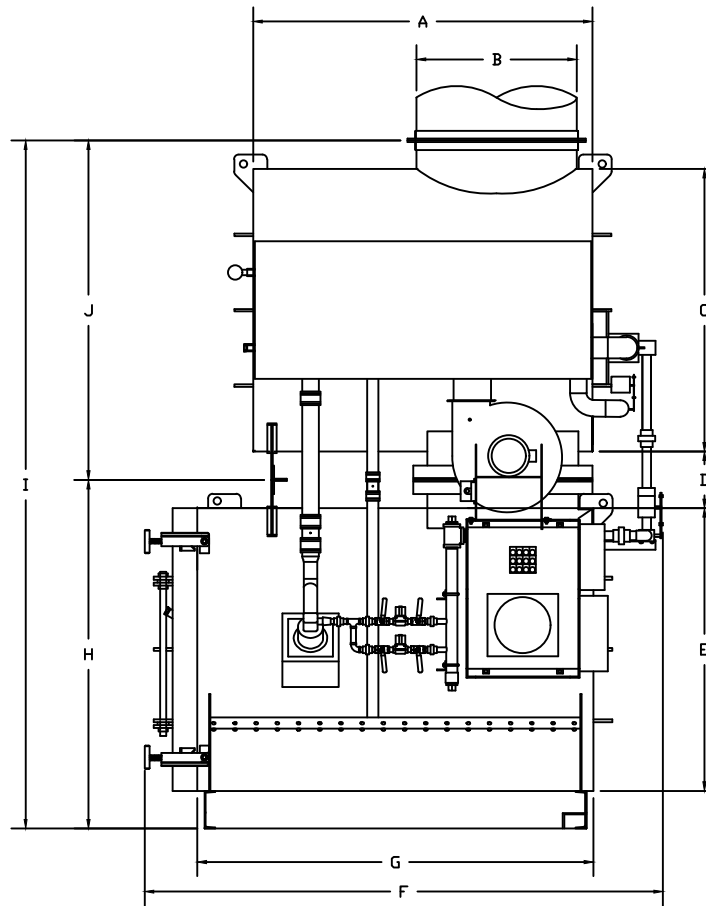
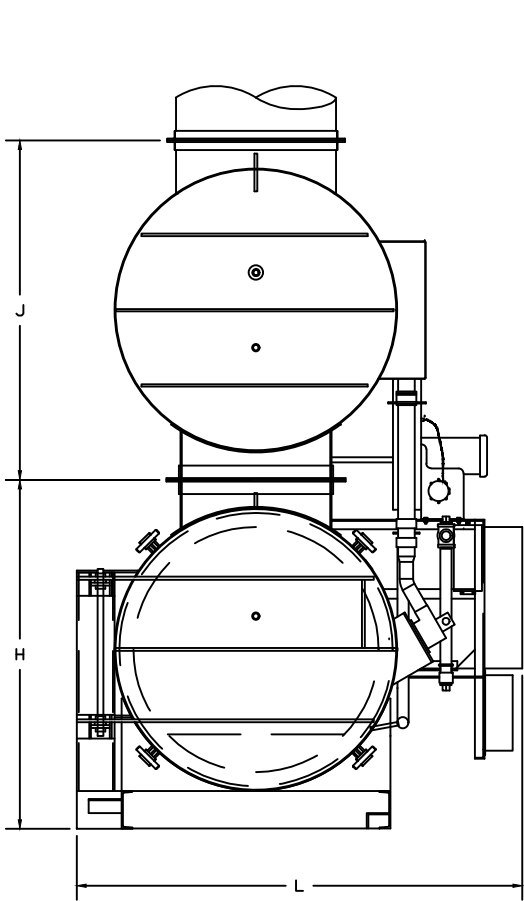


ELECTRICAL	
VOLTAGE	220/440 VOLTS
PHASE	SINGLE OR 3 PHASE
FREQ.	50/60HZ
AMPS	1 PHASE 70 AMP\3 PHASE 230v\40AMPS 440v\20AMPS
CHAMBER VOL.	
PRI. CHAMBER VOL.	75 CF (2.12 CM)
SEC. CHAMBER VOL.	70 CF (1.98 CM)

GAS	
NATURAL GAS PRESSURE	12" TO 15"W.C.(304MM TO 381MM)
PROPANE PRESSURE	11"W.C. (288MM)
FLOW RATE	2,000,000 BTU/HR

MACHINE DIMENSIONS	
A	72.00
B	34.00
C	60.00
D	12.00
E	60.00
F	110.00
G	84.00
H	74.00
I	146.00
J	72.00
K	66.50
L	94.50



NO.	DATE	NO.	DATE	NO.	DATE	NO.	DATE

KELLER
MANUFACTURING
4442 HOLDEN ROAD
LAKELAND, FL. 33811
863-937-8928

DRAWN BY: JLG
CHECKED: BLK
DATE: _____

THIS DRAWING IS THE PROPERTY OF KELLER. REPRODUCTIONS ARE PROHIBITED WITHOUT THE WRITTEN PERMISSION OF KELLER. THIS DRAWING IS FOR PURCHASING PURPOSES ONLY. RELEASE OF DRAWINGS TO OTHERS DOES NOT ALLOW LICENSING IN ANY WAY.

TITLE: **KMB-800**
MACHINE SPECIFICATIONS

MODEL NO.	PLOT SCALE	SIZE	SHEET	REV.
KMB	NTS			